



R. R. Street and Co. Inc.

184 SHUMAN BOULEVARD
NAPERVILLE, ILLINOIS 60563-8464
(630) 416-4244
FAX (630) 416-4150

July 4, 2006

Street's Unveils Revolutionary Advancement in Garment Care Technology

Since it was founded in 1876, Street's has maintained a leading role in the development of new textile cleaning process technologies for the drycleaning industry. Street's is the largest marketer of both perchloroethylene (PerSec®) and high-flash hydrocarbon (DF-2000 Fluid ®) together with a wide range of process additives, stain removal agents and filtration products for use in those solvents.

As the Company celebrates its 130th year of service to the drycleaning industry, R. R. Street and Co. Inc. (Street's) announces its revolutionary new textile cleaning process technology: "Solvair™."

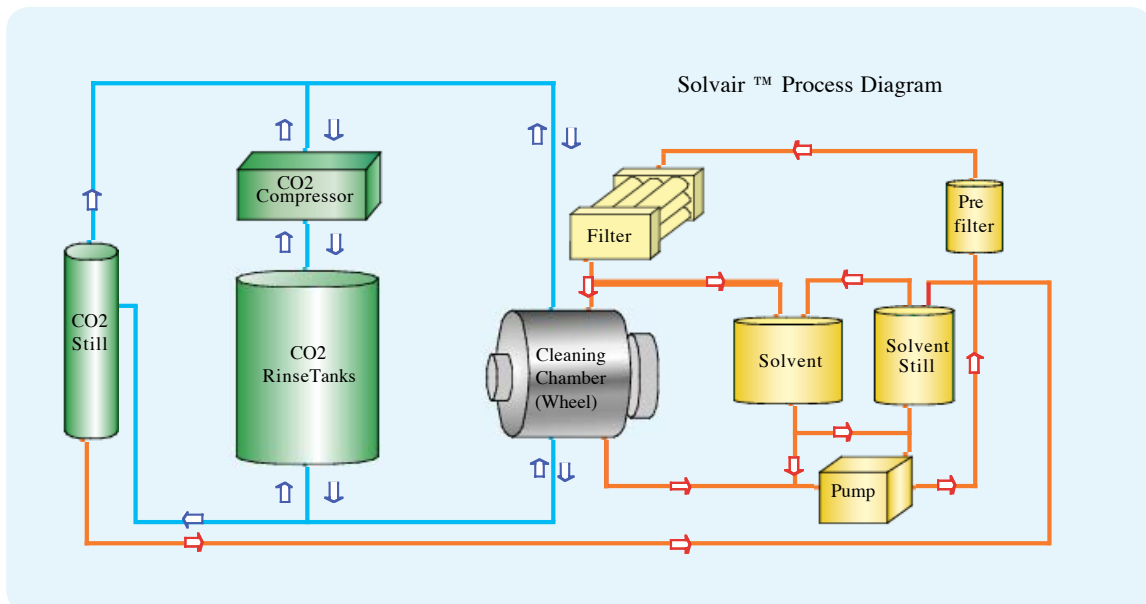
Solvair™ is a unique and patented process technology that offers a combination of benefits that no other available technology can match:

- The most effective cleaning available
- Improved productivity and competitive costs
- An environmentally friendly process
- Dependable service and support from Street's

Solvair™ is the result of more than eight years of research and development by Street's. A prototype unit has been undergoing extensive testing for more than two years. More recently, the pre-production model of Solvair™ has been operating in a field test environment for the past six months and as of July 5, 2006, it is now processing commercial work in a cooperative effort with a highly respected drycleaning business. Demonstrations of Street's new technology are expected to commence within the next several weeks with first commercial installations commencing in early 2007.

The Solvair™ process technology uses a cleaning fluid that combines proprietary additives with an effective and environmentally friendly solvent for exceptional cleaning power.

Drying is performed without heat. Cleaned clothes are rinsed dry with pressurized liquid CO₂. The Solvair™ cleaning fluid is attracted to and solubilized in the CO₂, in a process that is faster and more efficient than heat drying. At the end of the liquid CO₂ extraction process, the pressure in the wheel is reduced until the CO₂ converts from a liquid back to a gas, drying the garments. This process removes the solvent from the garments and creates more even drying than conventional cleaning.



Further information on Street's new technology will be available at the California Fabricare 2006 Show in Long Beach, August 18-20, 2006.

All images © copyright R.R. Street and Co. Inc.